

### For two-pipe fan coils

Room Thermostat with manual heating or cooling and fan function

Auto or Manual three-speed fan switch

RS485 Interface – Modbus RTU protocol

Operating voltage AC230V

Control output ON/OFF



#### APPLICATION:

The EasyIO LT-MR network thermostat is used in heating or cooling systems to maintain the selected room temperature.

Typical use:

Commercial buildings

Residential buildings

Light industrial buildings

In conjunction with

- Zone valves

- Thermal valves

- Fans

#### FUNCTIONS:

##### Heating



If the room temperature falls below the selected setpoint, the heating contact will close.

##### Cooling



If the room temperature exceeds the selected setpoint, the cooling contact will close.

##### Fan Speed

There are two possibilities to control the fan speed:



-Auto

a) Manually by means of the fan button on the thermostat for continuous operation.



-Low

b) Automatically by means it will run at low speed when the temperature difference is higher than 1°C and it will run at high speed, when the temperature difference is higher than 3°C



-Medium

and if the difference is equal, DA model will close the motorized valve with fan running at low speed



-High

and DB model will close the motorized valve and the fan as well.

##### Ventilation



When the ventilation function is selected, the heating and cooling contacts are always open and the fan operates at the selected speed.

##### Sleep



When the sleep function is selected, the setpoint will be reduce 1 in heating mode or increase in 1°C cooling mode every hour, The sleep function will disable after two hours later.

Press "CLOCK" till "☾" flashes and pres "▲" to confirm the setting or press "▼" to disable it;

##### Clock

##### Show the real time.

Clock Adjustment:

Press "CLOCK" till "hh:mm" displays with "hh" flashing, then press "▲" or "▼" to adjust Hour;

Press "CLOCK" till "hh:mm" displays with "mm" flashing, then press "▲" or "▼" to adjust Minute;

### Timer ON/OFF Turn ON/OFF thermostat by the timer.

-Timing ON:

Press "CLOCK" till "CLOCK" and "ON" flash, together with "hh" in "hh:mm" flashing, press "▲" or "▼" to adjust Timing Hours, and press "CLOCK" till "mm" in "hh:mm" flashes, then press "▲" or "▼" to adjust Timing Minute, and finally press "CLOCK" to confirm the setting;

-Timing OFF:

Press "CLOCK" till "CLOCK" and "OFF" flash, together with "hh" in "hh:mm" flashing, press "▲" or "▼" to adjust Timing Hours, and press "CLOCK" till "mm" in "hh:mm" flashes, then press "▲" or "▼" to adjust Timing Minute, and finally press "CLOCK" to confirm the setting;

Cancel Timing: Set the Timing ON/OFF to 00:00;

### Technical Data



Power supply  
Operational data

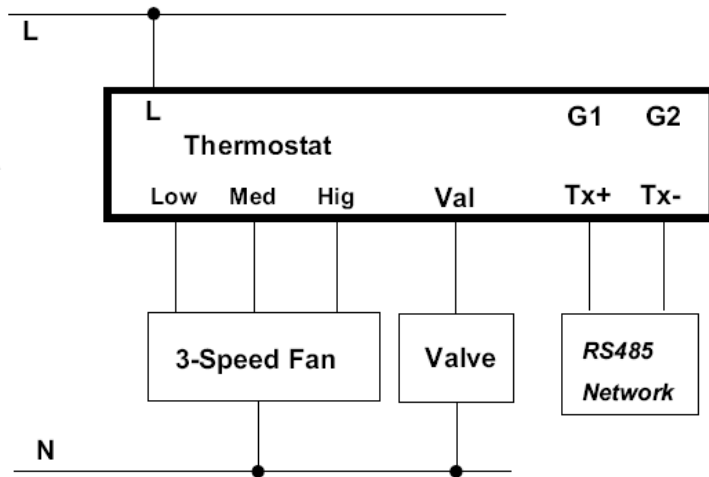
Power supply: AC12-24V DC12-35V  
Operating voltage AC 230 V  
Frequency 50 or 60 Hz  
Operating difference:  $\pm 1^{\circ}\text{C}$   
Setpoint setting range 5...35  $^{\circ}\text{C}$   
Amperage at AC 230 V 0.2...3 (1) A

Screw terminals for 2 x 1.5 mm<sup>2</sup> or 1 x 2.5 mm<sup>2</sup>, min. ( 0.5 mm<sup>2</sup> )  
Weight: 0.14 kg  
Color: white  
Housing: ABS Flame Retardant  
Dimensions: 108 x 99 x 26 mm

Environmental condition

Operation to IEC 721-3-3  
Climatic conditions class 3K5  
Temperature 0...+50  $^{\circ}\text{C}$   
Humidity <95 % r.h.  
Pollution degree normal, to EN 60730  
  
Transport / storage  
Temperature -20...+50  $^{\circ}\text{C}$   
Humidity <95 % r.h.

### Connection diagram



L	Operating voltage AC230V
N	Neutral
Low	Fan Speed I
Med	Fan Speed II
Hig	Fan Speed III
Val	Motorized Valves Thermal valve
G1-G2	Power Supply AC12V-24V / DC15V-35V
Tx+	RS485+
Tx-	RS485-

[www.infocon-technology.com](http://www.infocon-technology.com)

**Singapore**  
101 Cecil Street, #09-07  
Tong Eng Building, Singapore 069533  
+65.6.325.6083 Phone  
+65.6.226.3040 Fax

**Malaysia**  
32-3 Jalan Puteri 2/4, Bandar Puteri,  
47100 Puchong, Selangor D.E, Malaysia  
+60.3.8063.7571 Phone  
+60.3.8063.7572 Fax

Agency Listings :



All specifications subject to change without notice or liability to provide changes to prior purchasers. Information and specifications published here are current as of the date of publication of this document. EasyIO, reserves the right to change or modify specifications without prior notice. The latest product specifications can be found by contacting our corporate headquarters, Singapore. Products or features contained herein may be covered by one or more U.S. or foreign patents. © 2006-2007 Infocon-Technology.